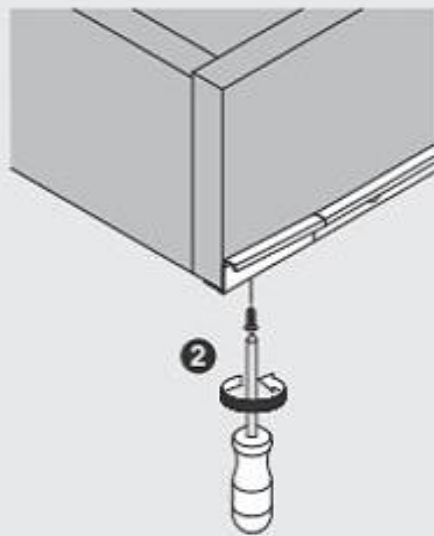
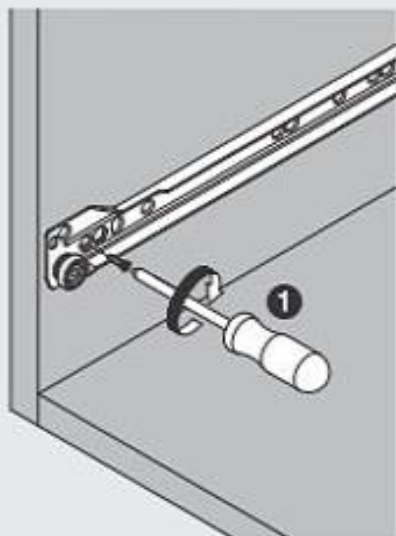


# BASIC

## Assembly and Insertion

### Drawer Assembly - Single Extension



### Drawer Insertion - Single Extension

